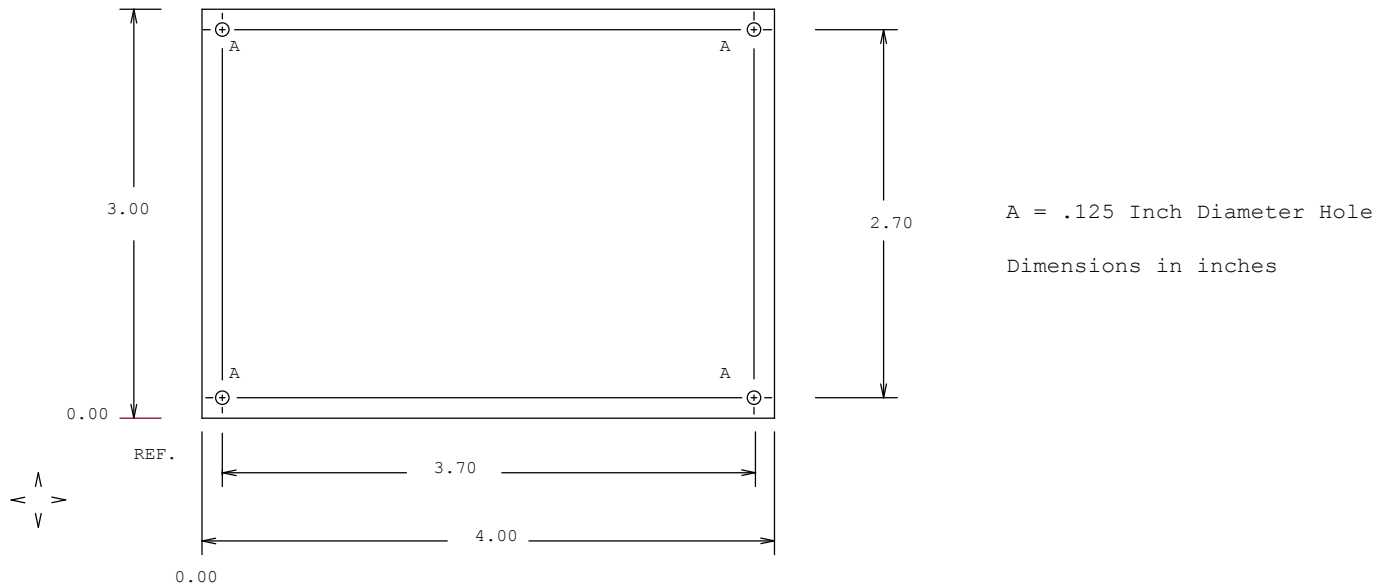


Battery Boss BB-URC Mounting Hole Locations



www.indexdesigns.com

	DATE	Index Designs Battery Boss URC Mounting Hole Locations			
ENGINEER					
DRAWN BY					
CHECKED					
		Size	<Cage Code>	DWG NO	Rev
				<Doc>	X1
Thursday, October 09, 2003				Sheet	1 of 1